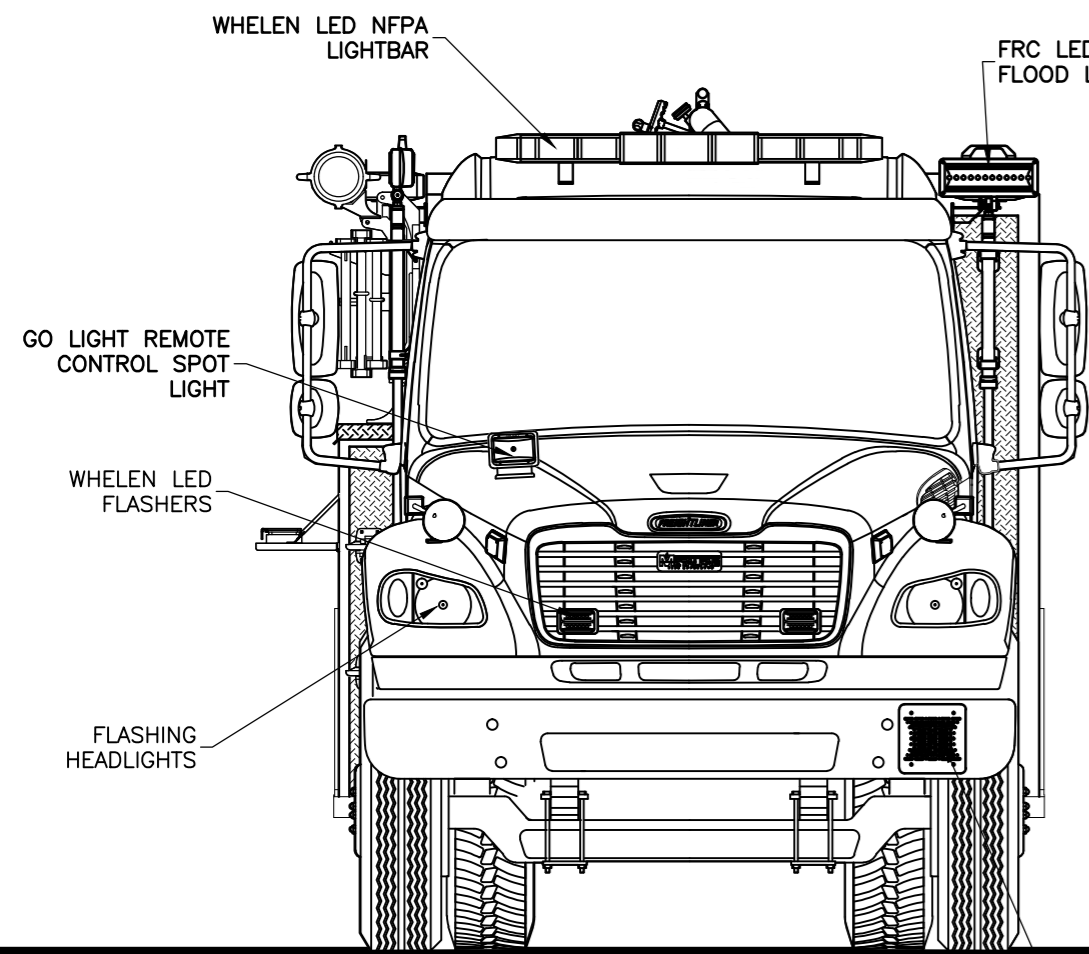
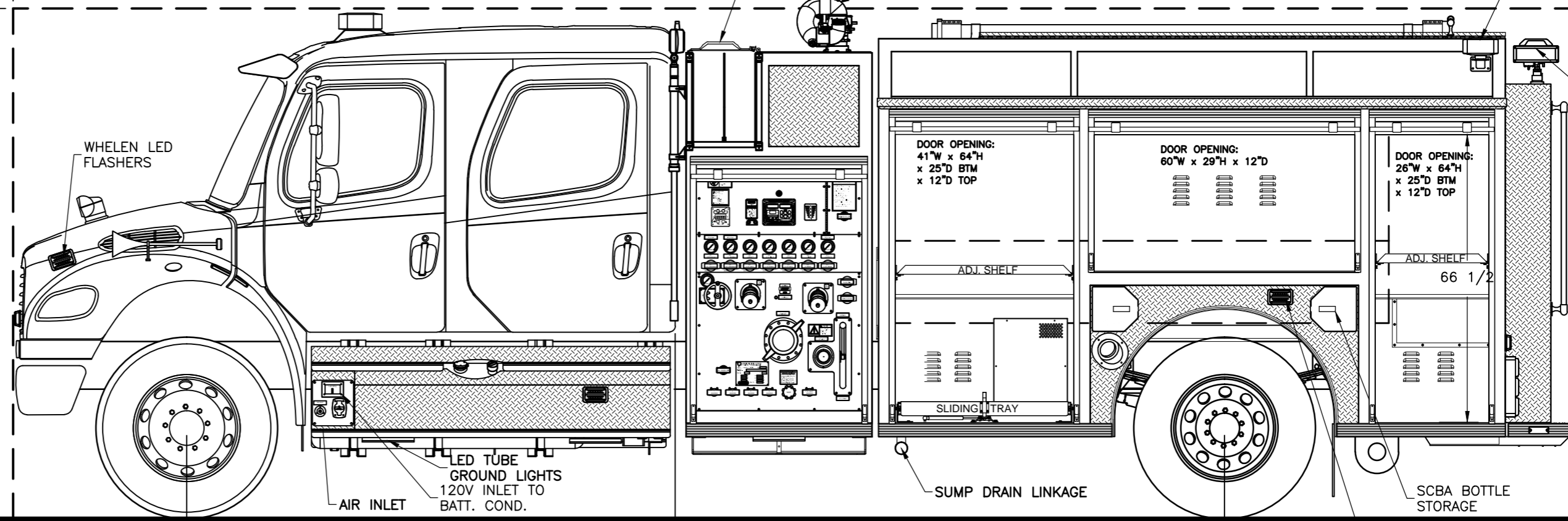


NOT SHOWN:

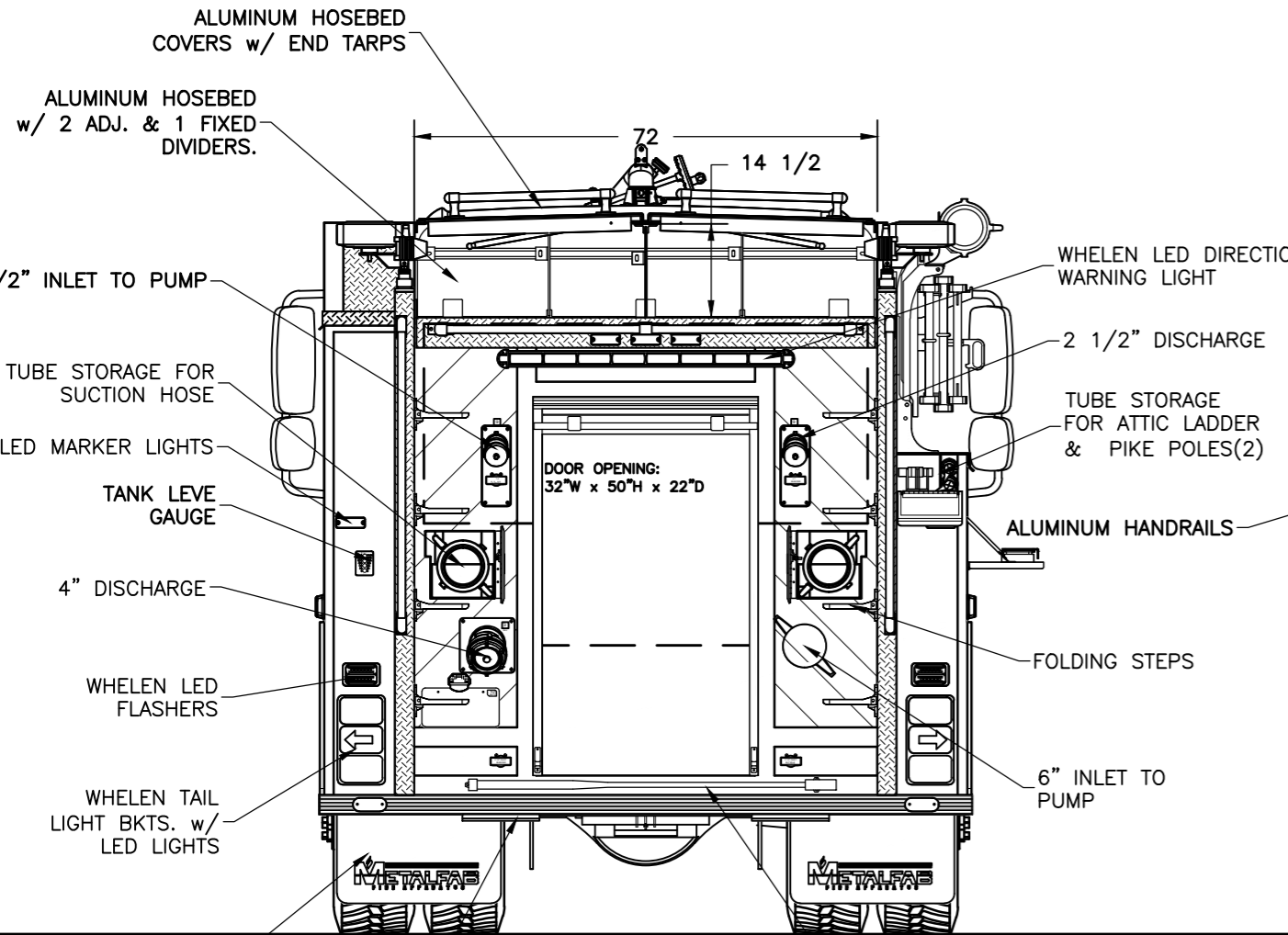
- CONSOLE IN CAB
- 1 - 6" BARREL STRAINER
- 3 - RUBBER MALLETS
- TRACTION CHAINS
- 3 - SETS DOUBLE HOSE WRENCHES
- 1 - DRY CHEM EXTINGUISHER
- 1 - CO2 EXTINGUISHER
- 2 - AXES
- WHEEL CHOCKS



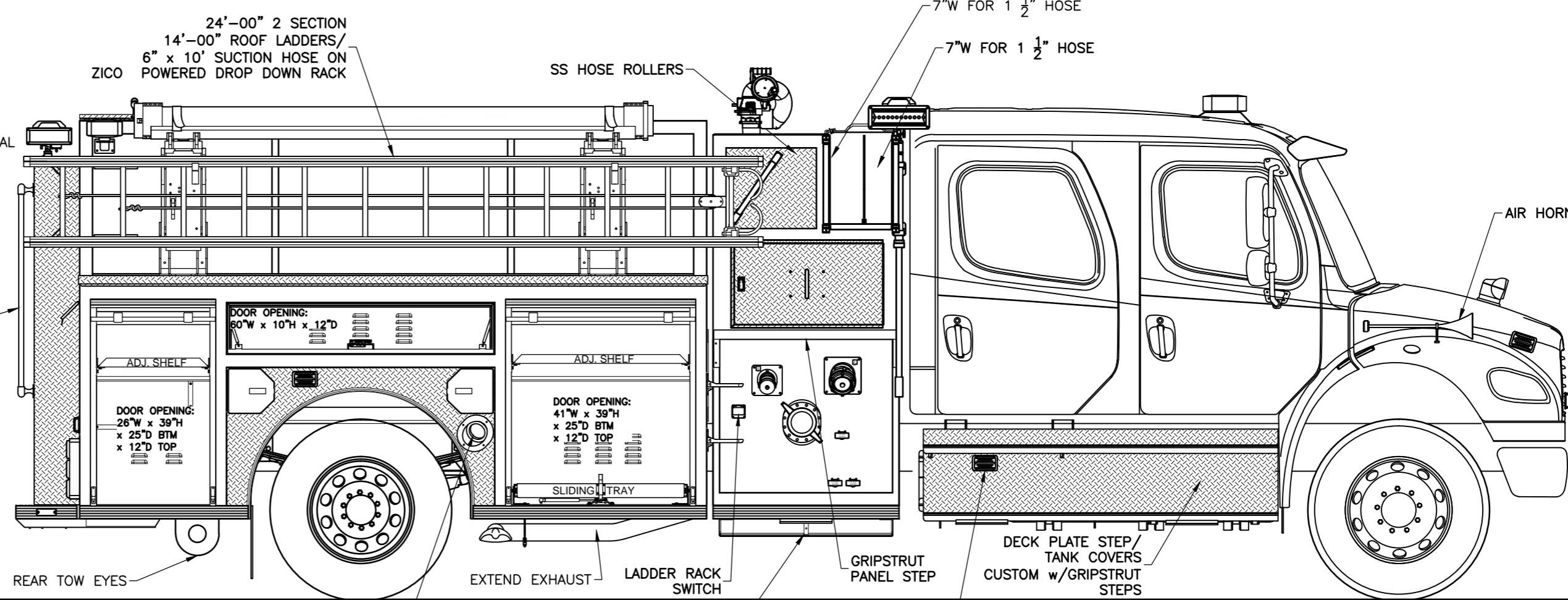
FRONT



LEFT SIDE



REAR



RIGHT SIDE

CHASSIS: FREIGHTLINER M2 106 4 DOOR
 PUMP: HALE QMAX 1250 IGPM
 TANK: 1000 Imp. Gal. POLYPROPYLENE
 1 - 20 Imp. Gal. FOAM CELL
 FOAM: HYPRO FOAMPRO 2001

SUCTION: 1 - 6" LEFT (MIV-MANUAL)
 1 - 6" RIGHT (MIV-MANUAL)
 1 - 6" REAR (4" PIPE, MIV-ELECT.)
 1 - 3" TANK TO PUMP
 1 - 2 1/2" LEFT
 1 - 2 1/2" REAR

DISCHARGES: 1 - 4" RIGHT
 1 - 4" REAR
 1 - 3" MONITOR
 2 - 2 1/2" LEFT
 1 - 2 1/2" REAR (FOAM)
 1 - 2 1/2" RIGHT
 1 - 2" TANK FILL
 2 - 1 1/2" CROSSLAYS (FOAM)

BEAR RIVER
 FIRE DEPARTMENT
 JOB No. 18279
 DRAWN BY T CULLINS
 DATE 04-02-14
 METALFAB LTD.
 847 CENTRAL ST. CENTREVILLE
 NB. CANADA E7K 2E8

1	UPDATE TO SO	BDC	02/16/15
0	FIRST ISSUE	----	----
REV	DESCRIPTION	APVD BY	DATE
REVISIONS			

TITLE GENERAL ARRANGEMENT

DRAWING NO. FT-10606

-ALL ALUMINUM CONSTRUCTION - ALL DIMENSIONS ARE IN INCHES & APPROXIMATE