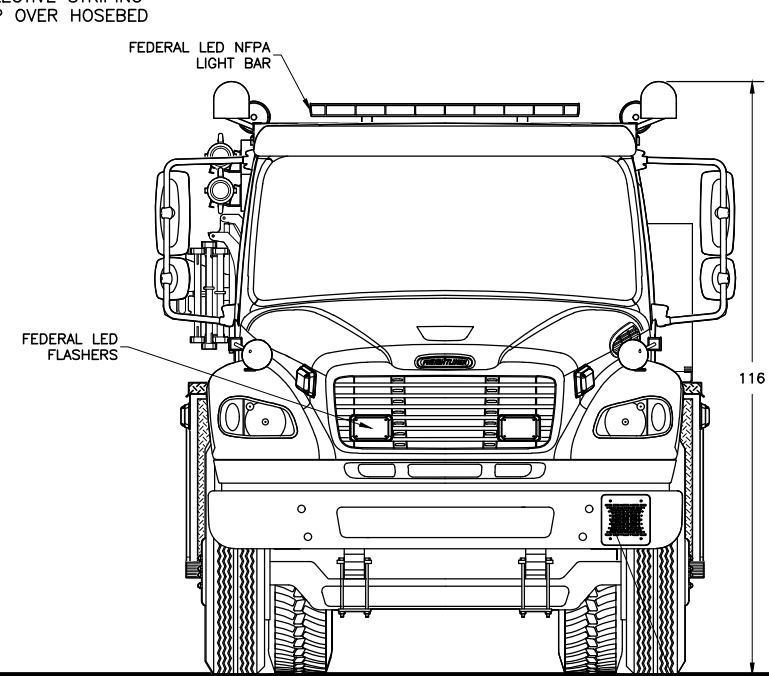
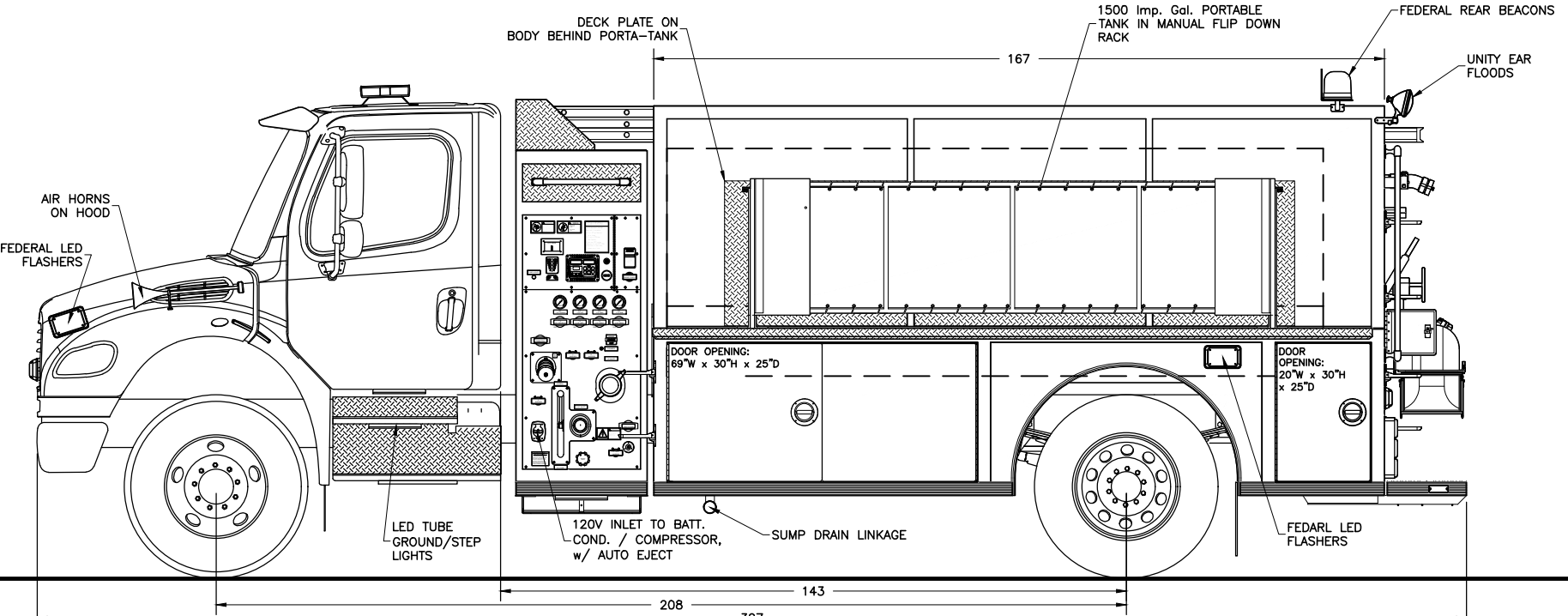


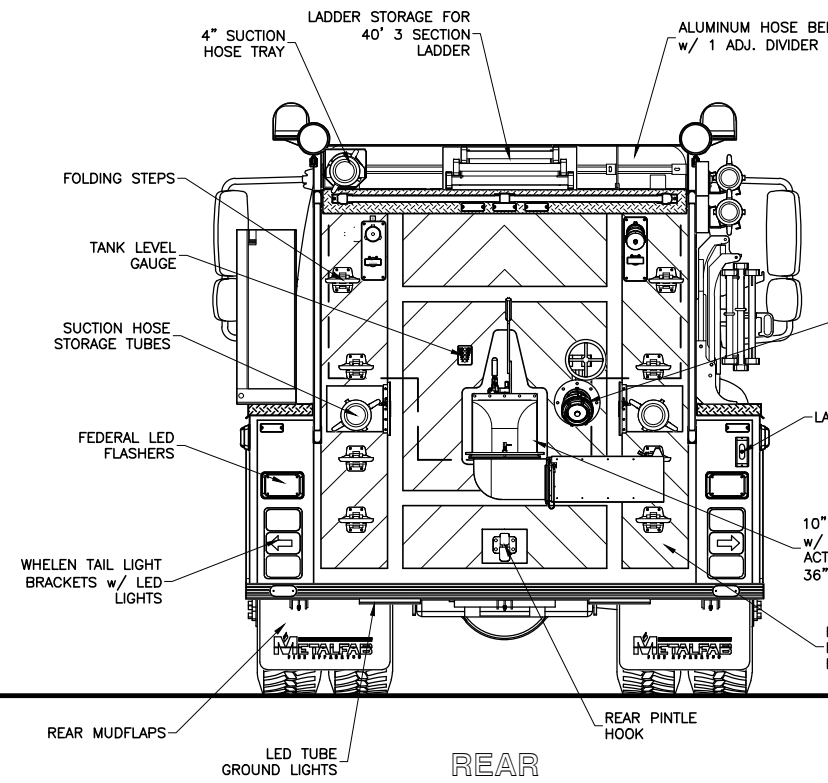
NOT SHOWN:
CONSOLE IN CAB
REFLECTIVE STRIPING
TARP OVER HOSEBED



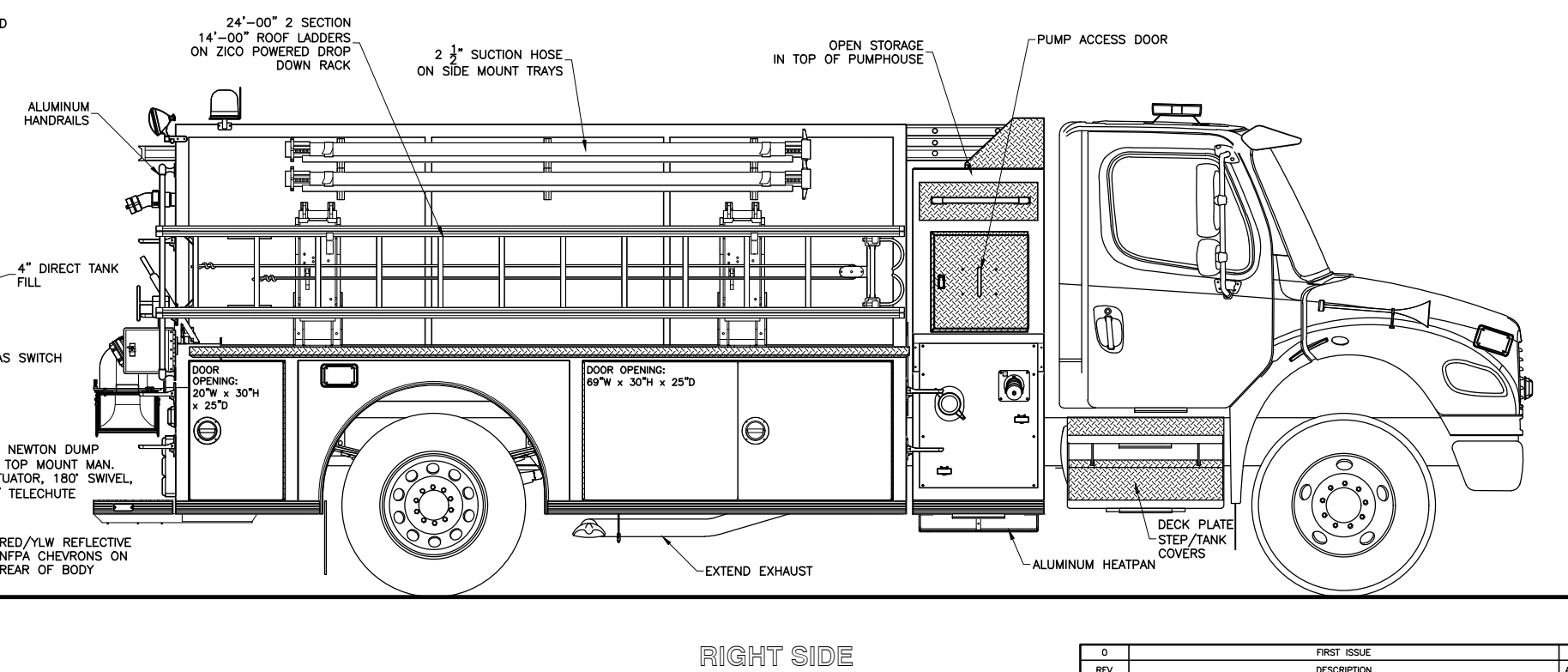
FRONT



LEFT SIDE



REAR



RIGHT SIDE

CHASSIS: FREIGHTLINER M2 106 2 DOOR
PUMP: HALE AP 420 IGPM PTO DRIVE
TANK: 1500 Imp. Gal. POLYPROPYLENE

FOAM: N/A

SUCTION: 1 - 4" LEFT (NO GATE)
1 - 4" RIGHT (NO GATE)
1 - 3" TANK TO PUMP
1 - 2 1/2" LEFT

DISCHARGES: 1 - 2 1/2" LEFT
1 - 2 1/2" RIGHT
1 - 2 1/2" REAR
1 - 2" TANK FILL
1 - 1 1/2" REAR

-ALL ALUMINUM CONSTRUCTION - ALL DIMENSIONS ARE IN INCHES & APPROXIMATE

0	FIRST ISSUE	---	---
REV	DESCRIPTION	APVD BY	DATE
REVISIONS			
INVERNESS FIRE DEPARTMENT		TITLE GENERAL ARRANGEMENT	
JOB No. PROPOSAL			
DRAWN BY T CULLINS			
DATE 08-03-16		DRAWING NO. FT-10865	
METALFAB LTD. 847 CENTRAL ST. CENTREVILLE NB. CANADA E7K 2E8		REV 0	