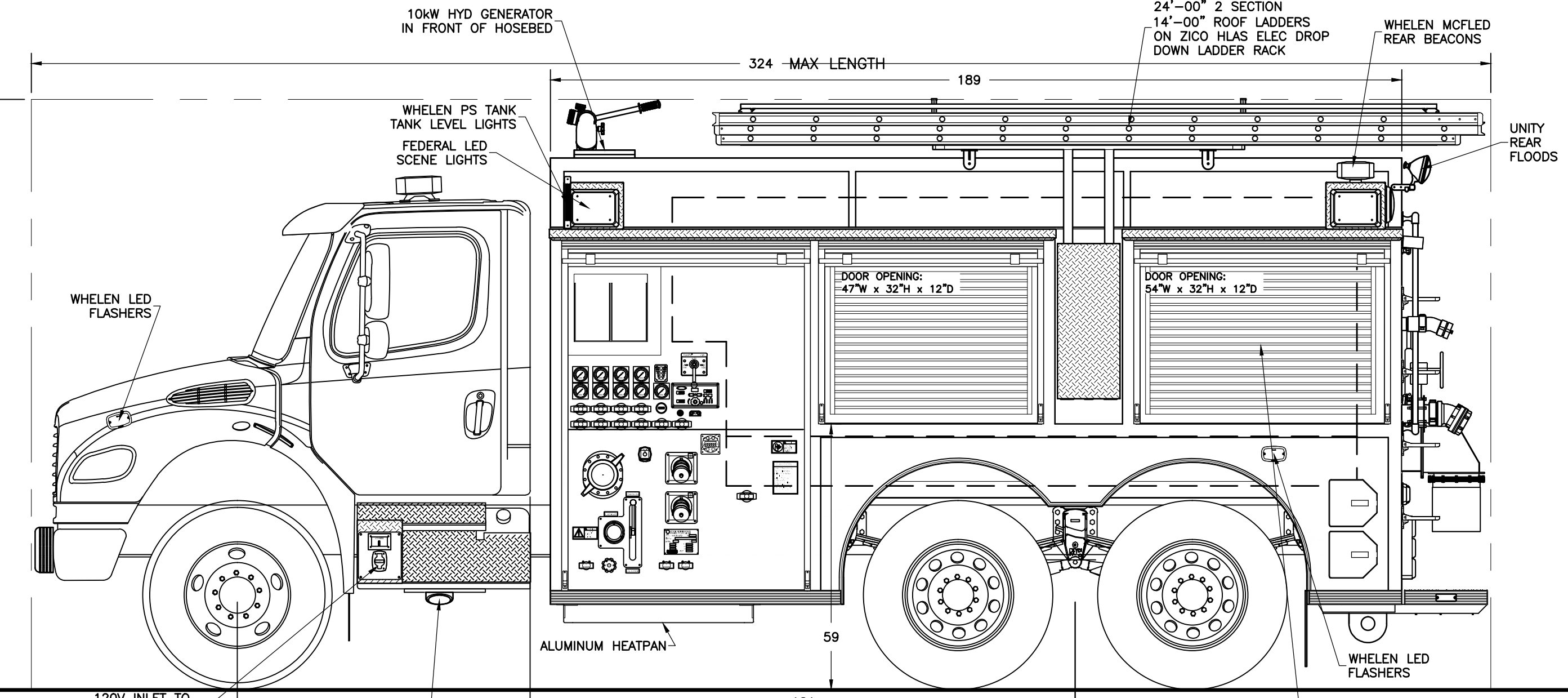
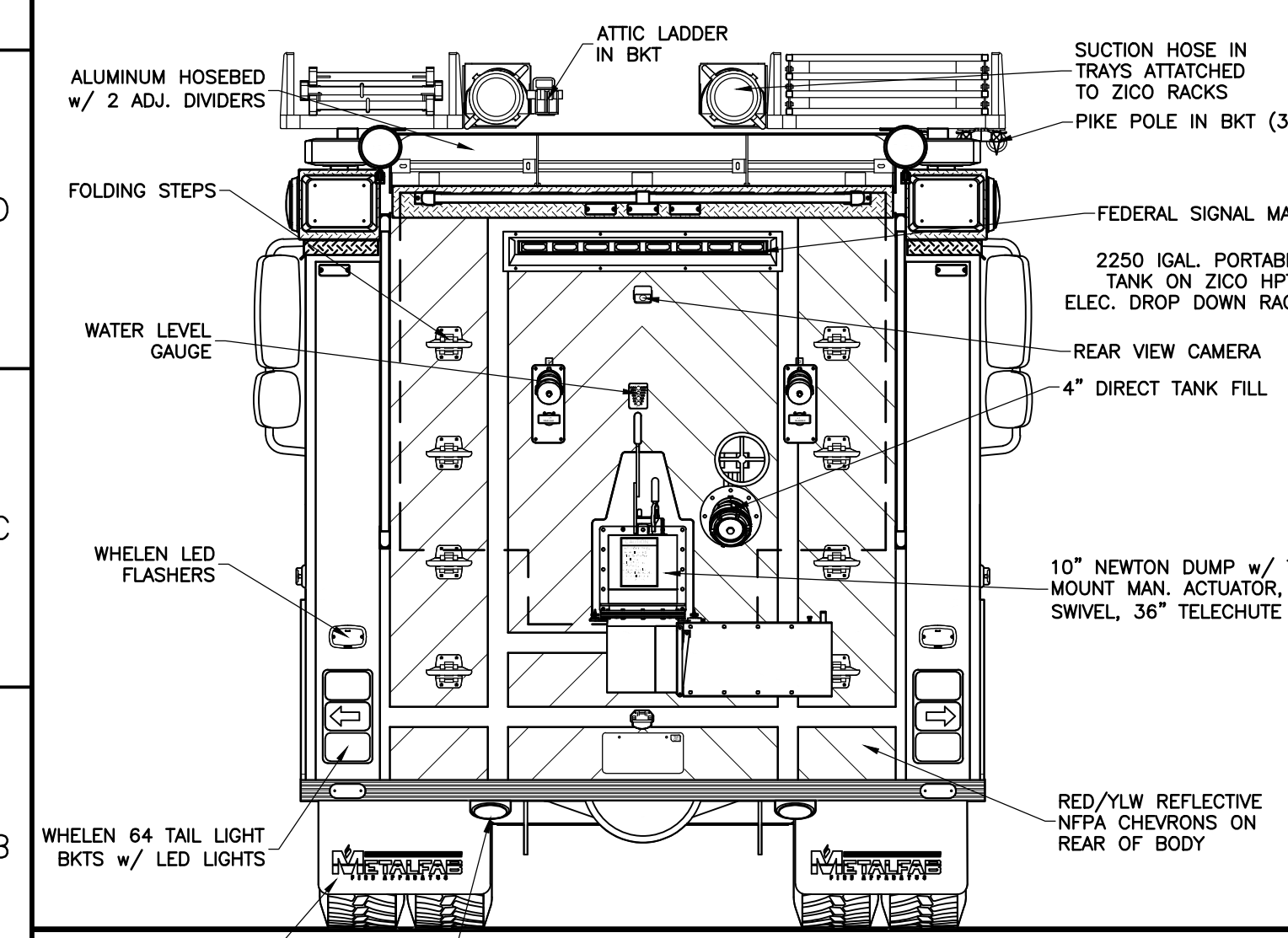


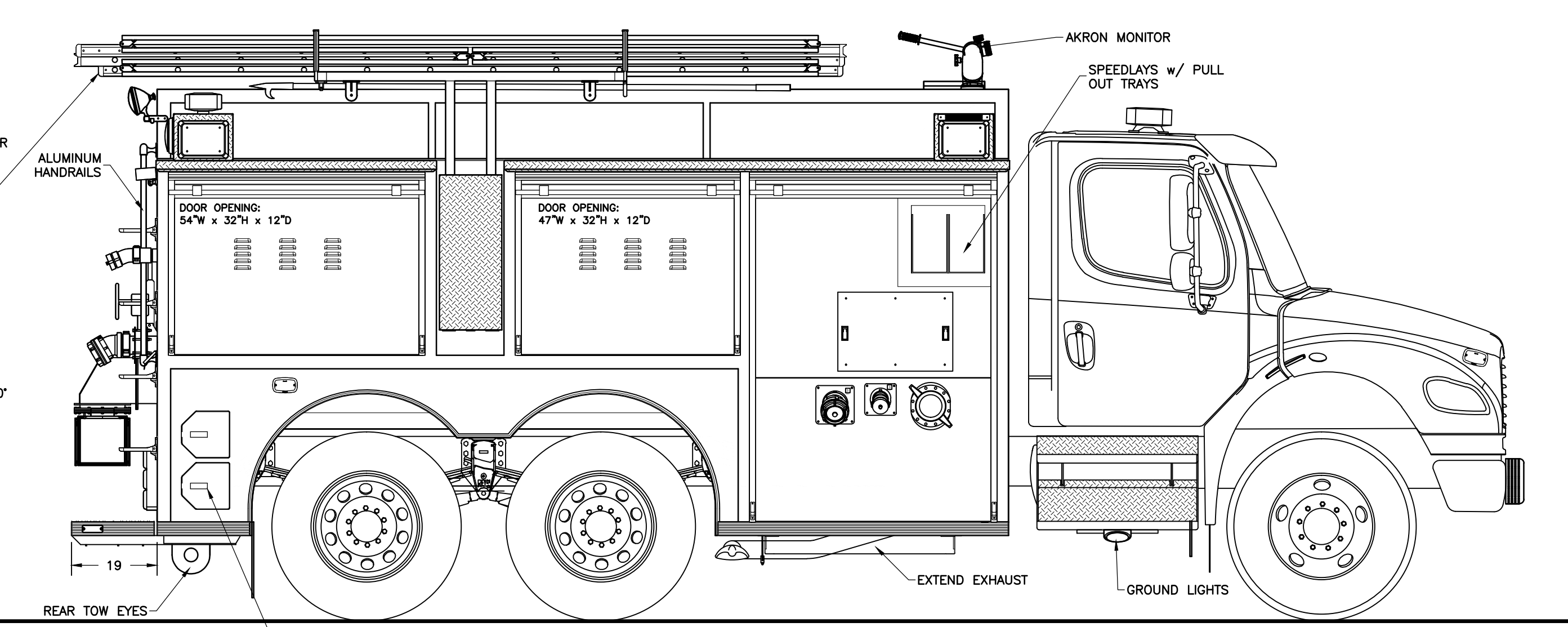
FRONT



LEFT SIDE



REAR



RIGHT SIDE

CHASSIS: FREIGHTLINER M2 106
 PUMP: WATEROUS CXVPA 1050 IGPM PTO DRIVE
 TANK: 2000 Imp. Gal. POLYPROPYLENE
 2 - 20 Imp. Gal. FOAM CELLS
 FOAM: HYPRO FOAMPRO 2002

SUCTION: 1 - 6" LEFT
 1 - 6" RIGHT (GATED)
 1 - 3" TANK TO PUMP
 1 - 2 1/2" LEFT

DISCHARGES: 1 - 4" RIGHT
 1 - 3" MONITOR
 1 - 2 1/2" RIGHT
 2 - 2 1/2" LEFT
 2 - 2 1/2" REAR
 2 - 1 1/2" CROSSLAYS
 1 - 2" TANK FILL

REV	DESCRIPTION	APVD BY	DATE
1	GENERAL REVISION PER DEPT.		06-18
0	FIRST ISSUE		

MIRAMICHI
 FIRE DEPARTMENT
 JOB No. PROPOSAL
 DRAWN BY T CULLINS
 DATE 04-15-13
 METALFAB LTD.
 847 CENTRAL ST. CENTREVILLE
 NB. CANADA E7K 2E8

TITLE GENERAL ARRANGEMENT

DRAWING NO. FT-10510

-ALL ALUMINUM CONSTRUCTION - ALL DIMENSIONS ARE IN INCHES & APPROXIMATE