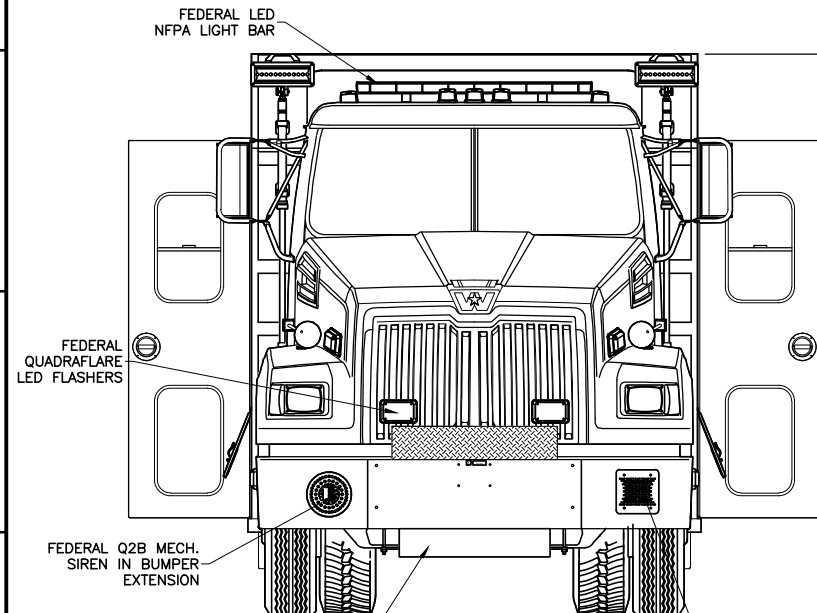
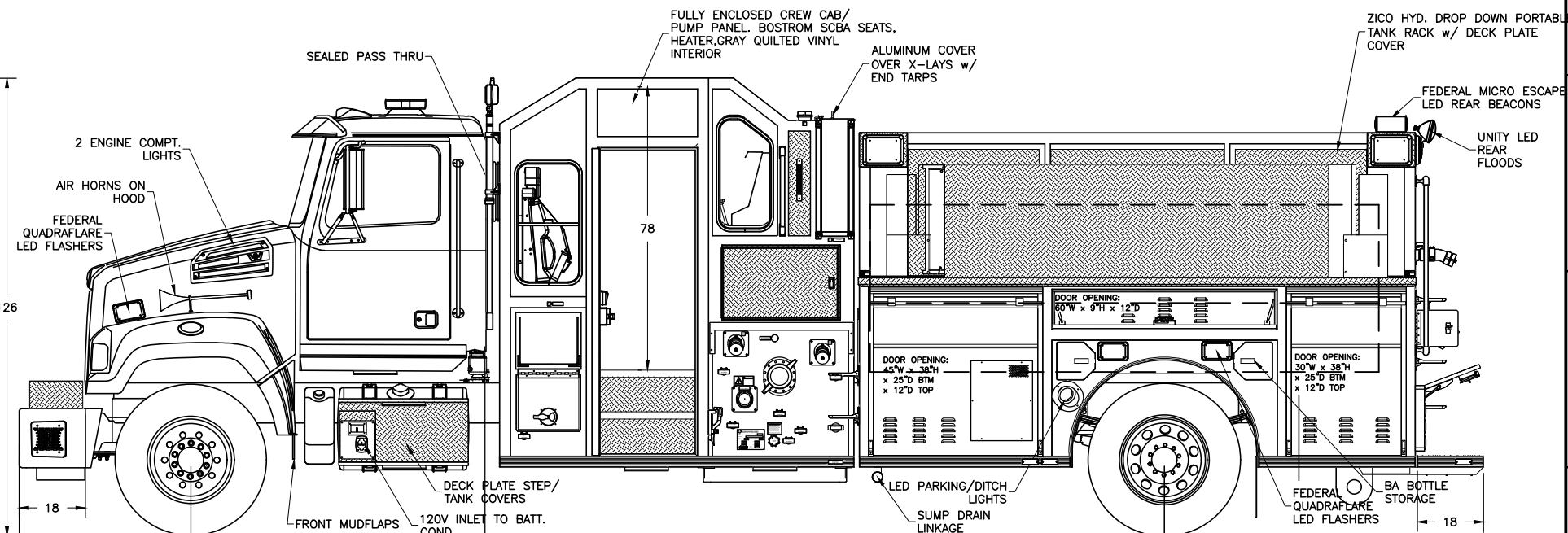


NOT SHOWN:  
 HEATER IN PUMPHOUSE  
 2 HEATERS IN CREW CAB  
 HYD. GENERATOR  
 1 - SLIDING TRAY  
 ON SPOT CHAINS  
 CORD REEL

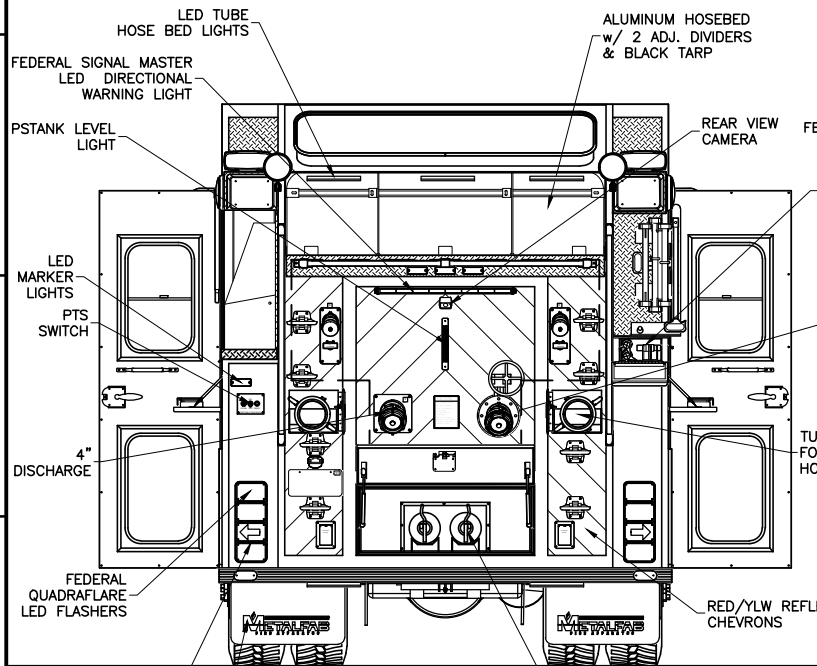
5 ADJ. SHELVES



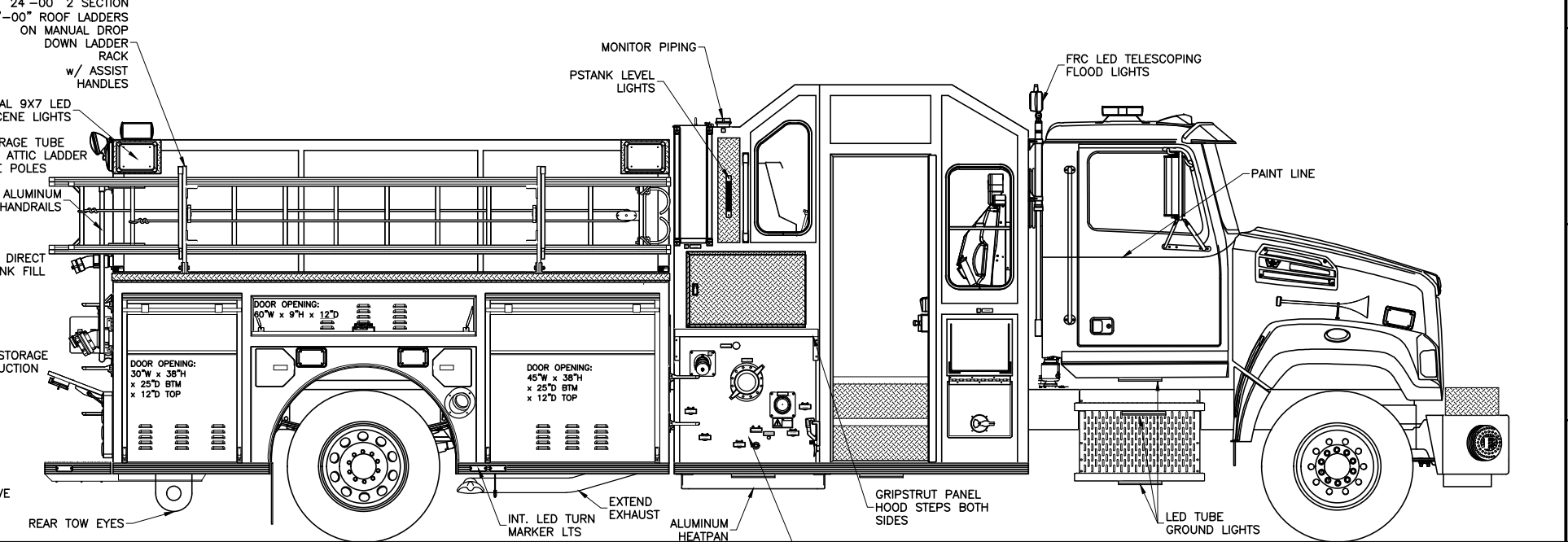
FRONT



LEFT SIDE



REAR



RIGHT SIDE

CHASSIS: WESTERN STAR 4700SF  
 PUMP: WATEROUS CSU 1250 IGPM  
 TANK: 1000 Imp. Gal. POLYPROPYLENE  
 1 - 20 Imp. GAL. FOAM CELL  
 FOAM: HYPRO FOAMPRO 2002 SINGLE TANK

SUCTION: 1 - 6" LEFT (ELEC GATE)  
 1 - 6" RIGHT (ELEC GATE)  
 1 - 2 1/2" LEFT  
 1 - 2 1/2" RIGHT  
 1 - 3" TANK TO PUMP

DISCHARGES: 1 - 4" REAR  
 1 - 3" MONITOR  
 2 - 2 1/2" LEFT  
 1 - 2 1/2" RIGHT  
 2 - 2 1/2" REAR  
 1 - 1 1/2" CROSSLAY  
 1 - 2" TANK FILL  
 1 - 1 1/2" SPEEDLAY  
 1 - 1 1/2" TRASHLINE

1	UPDATE TO SHOP ORDER	03-23-16
0	FIRST ISSUE	
REV	DESCRIPTION	APVD BY DATE

ST. PETER'S  
 FIRE DEPARTMENT  
 JOB No. PROPOSAL  
 DRAWN BY T CULLINS  
 DATE 09-22-15  
 METALFAB LTD.  
 847 CENTRAL ST. CENTREVILLE  
 NB. CANADA E7K 2E8

TITLE GENERAL ARRANGEMENT

DRAWING NO. FT-10769  
 REV 1

ALL DIMENSIONS ARE IN INCHES AND APPROXIMATE