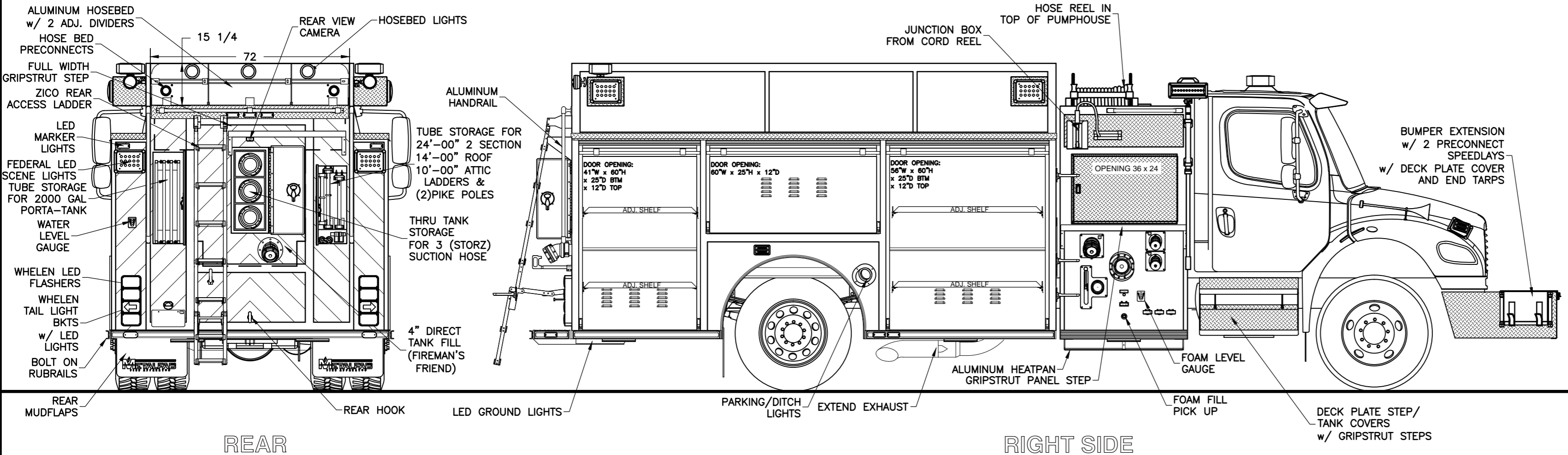
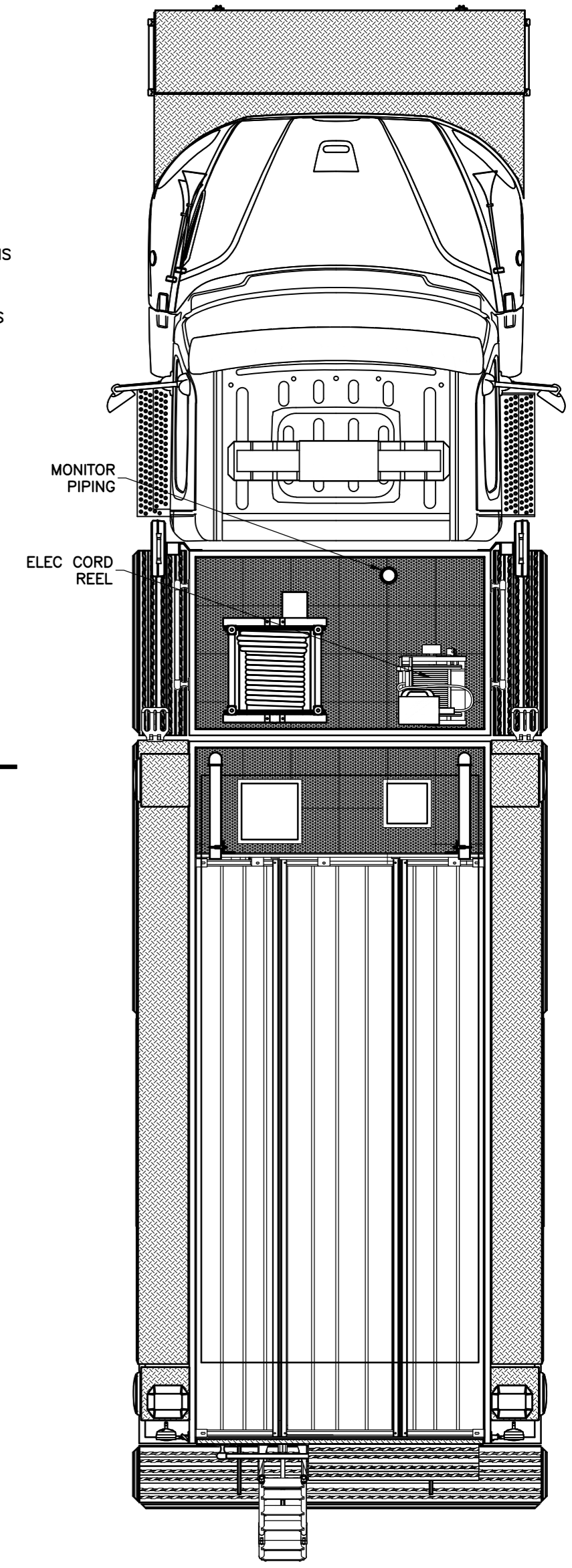
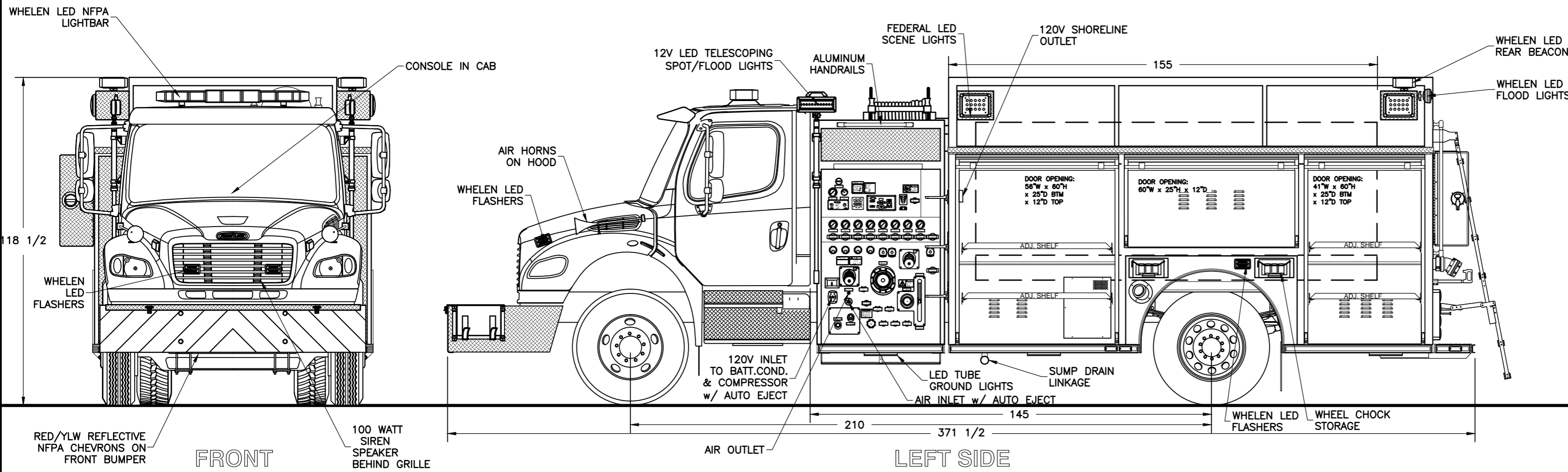


NOT SHOWN:
3 KW INVERTER
BLACK TARP OVER HOSE BED



1	UPDATE TO SHOP ORDER	07-23
0	FIRST ISSUE	----
REV	DESCRIPTION	APVD BY DATE

REVISIONS

CHASSIS: FREIGHTLINER M2 106	SUCTION: 1 - 6" LEFT (ELEC GATE)STORZ	DISCHARGES: 1 - 4" RIGHT	2 - 1 1/2" SPEEDLAYS (CAFS)
PUMP: WATEROUS CSU 1250 IGPM	1 - 6" RIGHT (ELEC GATE)STORZ	1 - 3" MONITOR	1 - 1" HOSE REEL (CAFS)
TANK: 1000 Imp. Gal. POLYPROPYLENE	1 - 4" TANK TO PUMP	2 - 2 1/2" LEFT	
1 - 20 Imp. Gal. FOAM CELL	1 - 2 1/2" LEFT	2 - 1 1/2" RIGHT	
FOAM: AQUIS 2.5 w. WATEROUS 150-D CAFS	1 - 2 1/2" RIGHT	2 - 2 1/2" REAR (RS CAFS)	
		1 - 2" TANK FILL	

LITTLE HARBOUR
FIRE DEPARTMENT

JOB No. PROPOSAL
DRAWN BY T CULLINS
DATE 06-05-13

METALFAB LTD.
847 CENTRAL ST. CENTREVILLE
NB. CANADA E7K 2E8

METALFAB
FIRE APPARATUS

DRAWING NO. FT-10523
REV 1

-ALL ALUMINUM CONSTRUCTION - ALL DIMENSIONS ARE IN INCHES & APPROXIMATE