

8

7

6

5

4

3

2

1

H

G

F

E

D

C

B

A

H

G

F

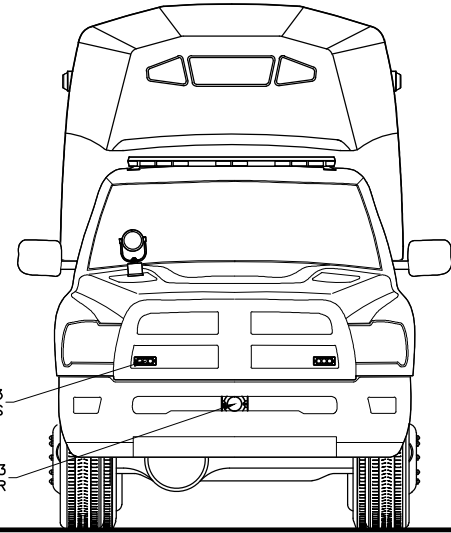
E

D

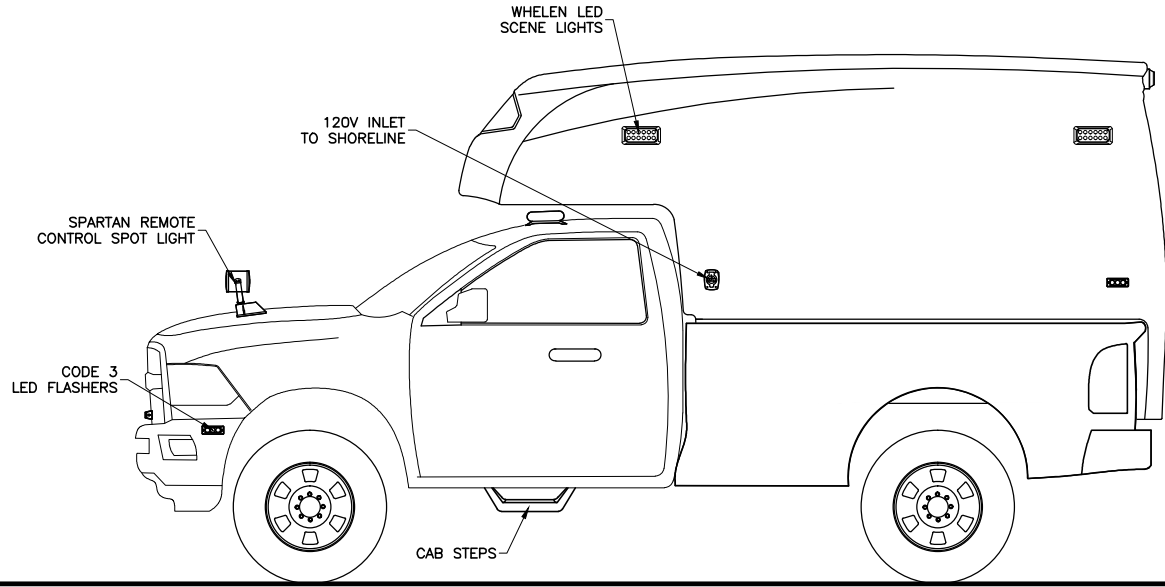
C

B

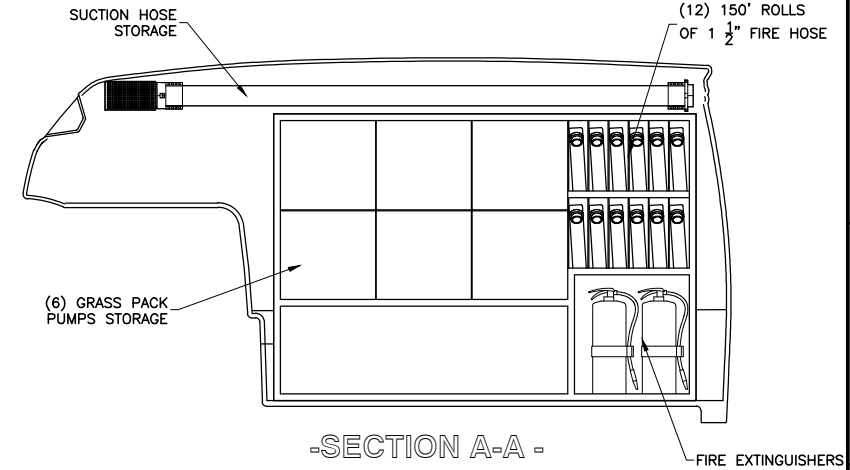
A



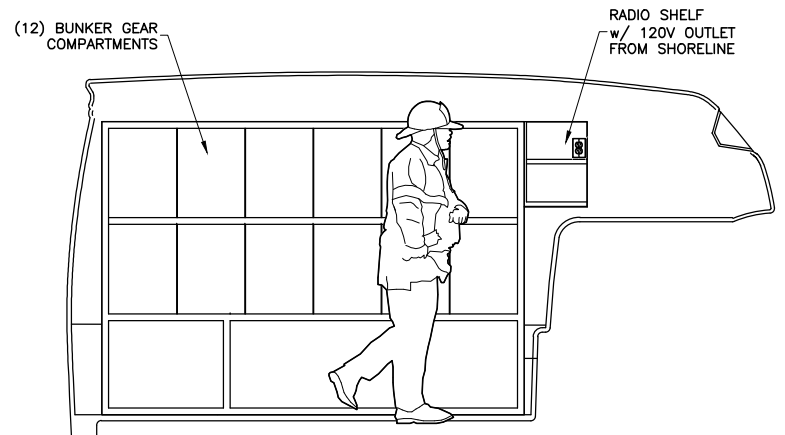
FRONT



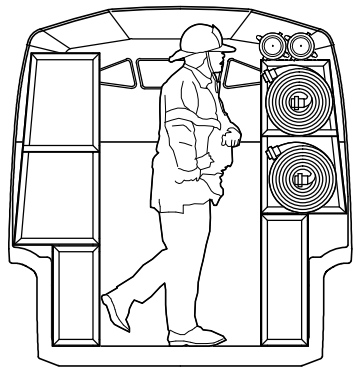
LEFT SIDE



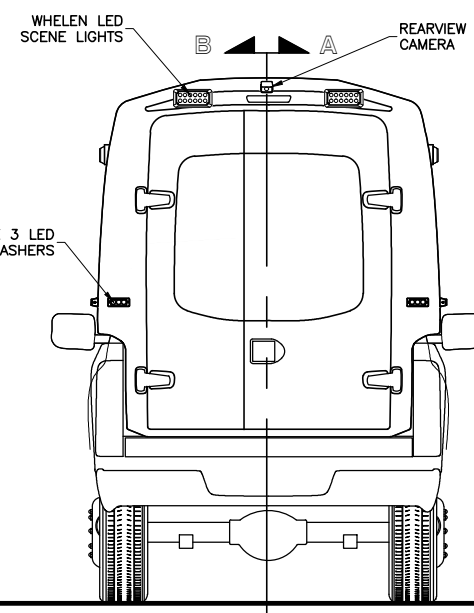
-SECTION A-A -



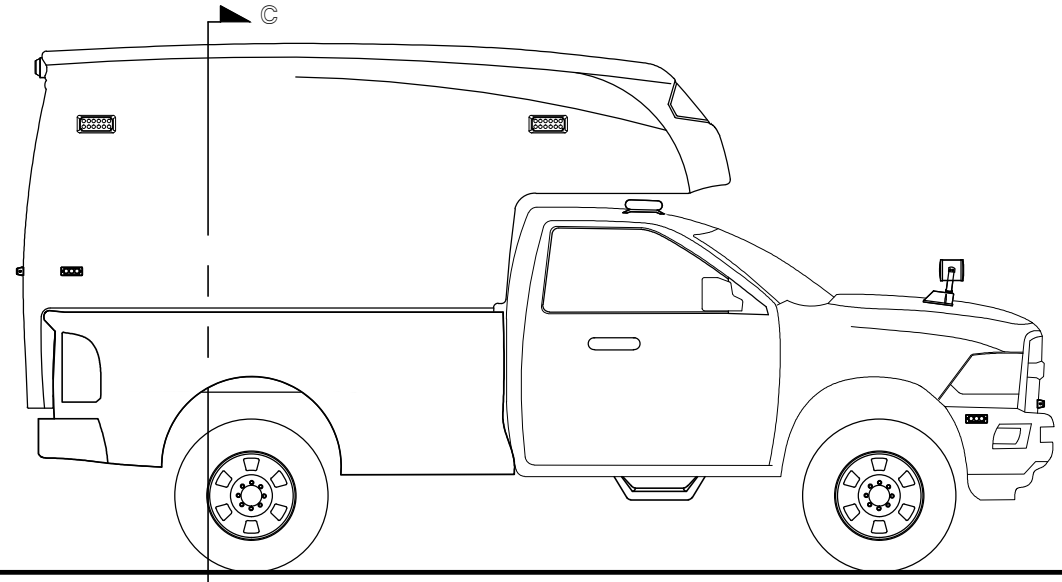
-SECTION B-B-



-SECTION C-C-



REAR



RIGHT SIDE

WHELEN LED SCENE LIGHTS  
 120V INLET TO SHORELINE  
 SPARTAN REMOTE CONTROL SPOT LIGHT  
 CODE 3 LED FLASHERS  
 CAB STEPS

SUCTION HOSE STORAGE  
 (12) 150' ROLLS OF 1 1/2" FIRE HOSE  
 (6) GRASS PACK PUMPS STORAGE  
 FIRE EXTINGUISHERS  
 (12) BUNKER GEAR COMPARTMENTS  
 RADIO SHELF w/ 120V OUTLET FROM SHORELINE

SPACEKAP "DIABLO" MOUNTED ON DODGE 3500  
 NOT SHOWN:  
 CONSOLE IN CAB  
 LED TUBE AREA LIGHTS IN BOX  
 INSTALL CUSTOMER SUPPLIED RADIO/ANTENNA  
 REFLECTIVE STRIPING  
 SPINE BOARD STORAGE  
 CUSTOMER SUPPLIED PORTABLE PUMP  
 FIRST AID KIT

-ALL ALUMINUM CONSTRUCTION - ALL DIMENSIONS ARE IN INCHES & APPROXIMATE

REV	DESCRIPTION	APVD BY	DATE
0	FIRST ISSUE	----	----
REVISIONS			

ERINVILLE  
 FIRE DEPARTMENT  
 JOB No. PROPOSAL  
 DRAWN BY T CULLINS  
 DATE 10-19-15  
 METALFAB LTD.  
 847 CENTRAL ST. CENTREVILLE  
 NB. CANADA E7K 2E8

TITLE GENERAL ARRANGEMENT

DRAWING NO. FT-10751  
 REV 0

8

7

6

5

4

3

2

1